

SystemOne[®]

Modular Truck Equipment

Price List

March 1, 2012



800-627-9783

www.LadderRacks.com

Tradesman Package

**SPECIAL
SAVE \$334.00**



The Tradesman Package includes all of the following:

- 1 Heavy Series I.T.S.® Contractor Rack
- 4 Sliding Cargo Anchors
- 4 Ladder / Stop Anchors
- 4 Work Winches®
- 2 Full Access® Toolboxes (open interiors)
- 2 pr. Toolbox Hangers
- 2 Stowaway Drawers™ (trays or tray dividers not included)
- 1 Set of 8 Drawer Dividers

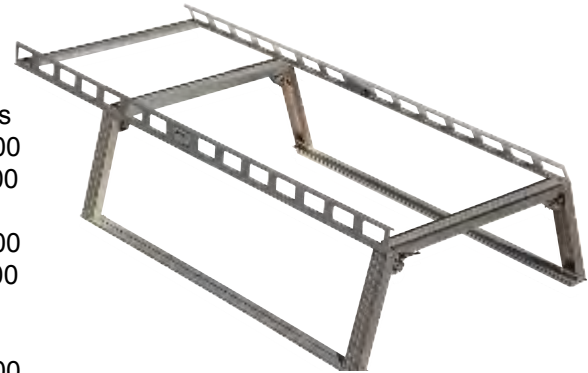
| | Separately | Package |
|---|------------|-----------|
| Tradesman Package for 8ft. Standard Cab Pick-ups..... | \$3291.00 | \$2957.00 |
| Tradesman Package for Short Bed Extended Cab Pick-ups | 3251.00 | 2917.00 |
| Tradesman Package for 8ft. Bed Extended Cab Pick-ups..... | 3311.00 | 2977.00 |
| Tradesman Package for Short Bed Standard Cab and Mini Pick-ups..... | 3241.00 | 2907.00 |

PICK-UP TRUCK RACKS

Contractor Rig®

Our Contractor Rig® is the undisputed leader among contractor ladder racks. Its heavy wall, large profile aluminum extrusions provide outstanding performance in high abuse environments. A removable rear crossmember with adjustable handles, Ladder Life® anti-wear inserts on each crossmember, Ladder Glide® low friction insert on rear crossmember, and choice of 62 color inserts are included. The Heavy (I.T.S.®) Series has a 1250 lb. capacity and the Standard Series has a 1000 lb. capacity.

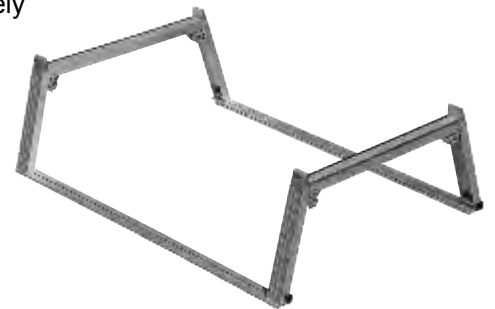
| | |
|---|----------|
| All Full Size Pick-Ups, Dodge Dakota, Toyota Tundra with 8' beds and std. cabs | |
| All Full Size Pick-Ups, Dodge Dakota, Toyota Tundra with short beds and ext. cabs | |
| Heavy (I.T.S.®) Series..... | \$779.00 |
| Standard..... | 764.00 |
| All Full Size Pick-Ups with 8' beds and ext. cabs | |
| Heavy (I.T.S.®) Series..... | \$799.00 |
| Standard..... | 784.00 |
| All Full Size Pick-Ups with short beds and std. cabs | |
| All Mini Pick-Ups with long or short beds, std or ext.. cabs | |
| Heavy (I.T.S.®) Series..... | \$769.00 |
| Standard..... | 754.00 |



Utility Rig™

Our Utility Rig™ is a versatile and economical rack with almost all the virtues of the above system. This configuration is widely used by cable TV, phone companies and contractors who carry mostly rigid overhead cargo, i.e. ladders, large dimension lumber, etc. Its extremely rigid free standing trusses have a 600 lb. capacity. The rear truss is completely removable in seconds. The Utility Rig™ includes Ladder Life® anti wear inserts on each crossmember, Ladder Glide® low friction insert on rear crossmember, side stops on all four upper corners, and choice of 62 color inserts.

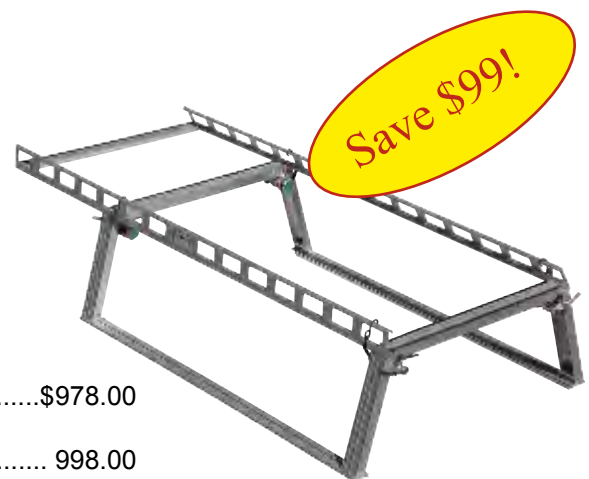
| | |
|-----------------------------|----------|
| All Pick-Ups | |
| Heavy (I.T.S.®) Series..... | \$459.00 |
| Standard..... | 444.00 |



Heavy Work Contractor Package (Includes 4 Work Winches®)

A popular package for serious contractors, the Heavy Work Package includes the Heavy I.T.S.® Series Contractor Rig® and 4 Work Winches® with handles. This Heavy Work Package gives you all 4 Winch assemblies for \$199.00, saving \$99.00. It is the construction industry's ultimate ladder rack.

| | |
|--|----------|
| All Full Size Pick-Ups, Dodge Dakota, Toyota Tundra with 8' beds and std. cabs | |
| All Full Size Pick-Ups, Dodge Dakota, Toyota tundra with short beds and ext. cabs..... | \$978.00 |
| Full Size Pick-Ups with 8' beds and ext. cabs..... | 998.00 |
| All Full Size Pick-Ups with short beds and std. cabs. | |
| All Mini Pick-Ups with long and short beds, std. and ext. cabs..... | 968.00 |

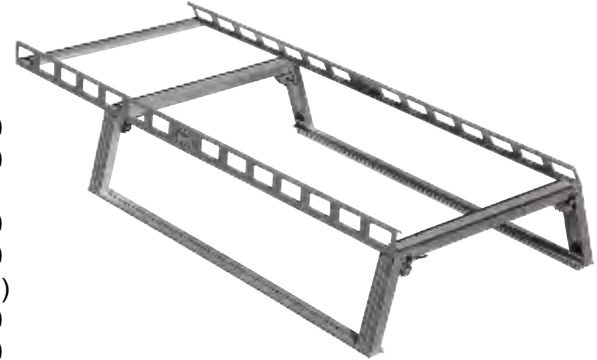


UTILITY BODY RACKS

Contractor Rig®

The Contractor Rig is the ideal rack for utility body trucks. The Utility Trak (for surface mount) and the Pick-up Trak (for inside corner mount) allow System One racks to be mounted to both conventional and top-opening lid body types. Two or three trusses in Standard or Heavy I.T.S. Series can be used. The rear crossmember is removable and comes with our Ladder Glide low friction insert. All crossmembers include our Ladder Life anti-wear inserts. Choice of 62 color inserts is included. The Heavy I.T.S. Series has a 1250 lb. capacity and the Standard has a 1000 lb. capacity. Specify distance from top of body to top of cab roof.

| | |
|--|-----------------------------------|
| All 8 ft. Bodies with standard cabs (uses 96" Trak and 138" Extension Beams) | |
| Heavy (I.T.S.) Series..... | \$779.00 |
| Standard Series..... | 764.00 |
| All 8 ft. Bodies with extended cabs (uses 96" Trak and 156" Extension Beams) | |
| Heavy (I.T.S.) Series..... | \$799.00 |
| Standard Series..... | 784.00 |
| All 9 ft. Bodies with standard cabs (uses 106.75" Trak and 147" Extension Beams) | |
| Heavy (I.T.S.) Series..... | \$820.00 |
| Standard Series..... | 805.00 |
| All 9 ft. Bodies with extended cabs (uses 106.75" Trak and 156" Extension Beams) | |
| Heavy (I.T.S.) Series..... | \$820.00 |
| Standard Series..... | 805.00 |
| All 11 ft. Bodies with standard and extended cabs (uses 174" Extension Beams) | |
| Heavy (I.T.S.) Series..... | \$899.00 |
| Standard Series..... | 884.00 |
| Additional Truss.....I.T.S. Series..... | \$173.00 Std. Series.....\$165.00 |



Utility Rig™

The Utility Rig mounts rigidly to either our Utility Trak or our Pick-up Trak and can be used on both conventional and top-opening lid body types. Two or three trusses are easily mounted and dismantled and can be placed anywhere along the length of the Trak. The Utility Rig comes with Ladder Life anti-wear inserts on each crossmember, Ladder Glide low friction insert on rear crossmember, side stops on all four upper corners, and choice of 62 color inserts. Capacity is 300 lbs. per truss. Specify distance between top of body and top of cab roof.

| | |
|--|-----------------------------------|
| All 8 ft. Bodies with standard and extended cabs (uses 96" Trak) | |
| Heavy (I.T.S.) Series..... | \$459.00 |
| Standard Series..... | 444.00 |
| All 9 ft. Bodies with standard and extended cabs (uses 106.75" Trak) | |
| Heavy (I.T.S.) Series..... | \$480.00 |
| Standard Series..... | 465.00 |
| All 11 ft. Bodies with standard and extended cabs (uses 132" Trak) | |
| Heavy (I.T.S.) Series..... | \$514.00 |
| Standard Series..... | 499.00 |
| Additional truss.....I.T.S. Series..... | \$175.50 Std. Series.....\$167.50 |



Heavy Work Contractor Package - Save \$99 !

This is the most common outfit bought by utility body owners. The Heavy Work Contractor Package includes the Heavy I.T.S. Series Contractor Rig and 4 Work Winches with handles. Separately, the Work Winches total \$298.00. This Heavy Work Package gives you 4 Work Winches for \$199.00, saving \$99.00

All Heavy I.T.S. Series Contractor Rigs priced above.....add \$199.00



VAN RACKS

Contractor Rig®

All aluminum and stainless steel, the van Contractor Rig is absolutely the most practical rack available anywhere for a van. All crossmembers have a high density polyethylene Ladder Glide insert so cargo slides on and off with ease. The rear crossmember is cantilevered back so that ladders and lumber don't scratch or dent the roof while loading and unloading. The rack utilizes I.T.S. Series brackets and is ready to accept Work Winches. 800 lb. capacity, color inserts in 62 colors.



All Full Size Vans standard length.....\$609.00

All Full Size Vans extended length..... 629.00

Utility Rig™

The Utility Rig for vans is a simple design and features all aluminum and stainless steel construction. They are available in 2 or 3 truss versions and each crossmember includes a high density polyethylene Ladder Glide insert for low friction loading and unloading of cargo. T-slots in the crossmembers allow accessories to be positioned almost anywhere. The I.T.S. Series brackets accept Work Winches and make securing of loads quick and easy. 200 lb. capacity per truss.



All Full Size Vans 2 trusses (crossmembers).....\$249.00

All Full Size Vans 3 trusses (crossmembers)..... 389.00

Heavy Work Contractor Package (Includes 4 Work Winches®)

The Heavy Work Package for vans combines the Contractor Rig with 4 Work Winches making this the best and most efficient cargo carrying system made for vans.

All Full Size Vans standard length.....\$808.00

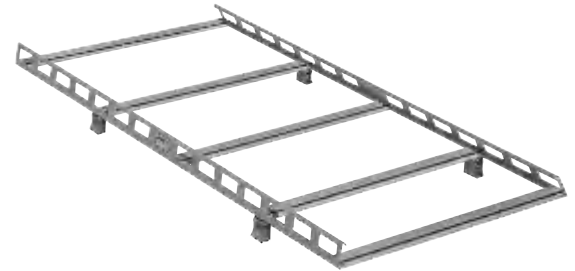
All Full Size Vans extended length..... 828.00



ENCLOSED BODY RACKS

Contractor Rig®

Our Contractor Rigs for enclosed bodies utilize our Surface-mount I.T.S. Brackets. They can be installed on Utility Traks for extra rigidity and weight distribution or they can be installed without Utility Traks provided the roof structure will support the brackets directly. In all cases, the body itself must be strong enough to support the rack and any anticipated cargo. Choose one of the lengths listed below and specify the overall width desired from outside to outside of supports. There are 5 crossmembers on a typical Contractor Rig. Additional supports or crossmembers can be ordered.



| Extension Beam Length | Outside distance of brackets | | | | |
|-----------------------|------------------------------|-----------------|----------------|----------------|----------------|
| | up to 56.5" | 56.75" to 66.5" | 66.75" to 76"* | 76.25" to 86"* | 86.25" to 96"* |
| 102" and 120" | \$574.00 | \$599.00 | \$649.00 | \$699.00 | \$749.00 |
| 138" | 584.00 | 609.00 | 659.00 | 709.00 | 759.00 |
| 147" and 156" | 604.00 | 629.00 | 679.00 | 729.00 | 779.00 |
| 174" | 649.00 | 674.00 | 724.00 | 774.00 | 824.00 |

*Stiffening ribs may be desirable on these longer crossmembers - see accessory list
 Additional pair of supports.....\$ 46.00

Utility Rig™

Utility Rigs for enclosed bodies should be mounted on Utility Traks unless the roof surface is very rigid. The truck body must be strong enough to support the rack and any anticipated cargo. Any number of trusses are available, and all use I.T.S. Surface-mount Brackets. Specify the overall width desired from outside of bracket to outside of bracket and number of trusses needed.



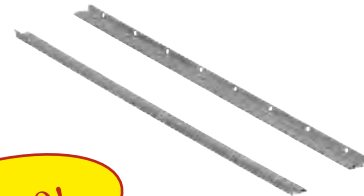
| Number of Trusses (crossmembers) | Outside distance of brackets | | | | |
|----------------------------------|------------------------------|-----------------|----------------|----------------|----------------|
| | up to 56.5" | 56.75" to 66.5" | 66.75" to 76"* | 76.25" to 86"* | 86.25" to 96"* |
| 2 trusses | \$239.00 | \$249.00 | \$274.00 | \$292.00 | \$312.00 |
| 3 trusses | 358.50 | 373.50 | 411.00 | 438.00 | 468.00 |
| 4 trusses | 478.00 | 498.00 | 548.00 | 584.00 | 624.00 |

*Stiffening ribs may be desirable on these longer crossmembers - see accessory list

Utility Trak

It is recommended that all racks be mounted on Utility Traks for maximum strength and fewer roof penetrations. Utility Traks have a concealed T-slot underneath allowing standard carriage bolts to secure the Trak to the roof. A T-slot in the upper surface is used to mount the rack. The Trak also has an anchor rail with 7/8" diameter holes located 12" apart for tie-downs. Sold in pairs. High Density foam tape is available - see accessory list.

| | |
|--------------|----------|
| 96"..... | \$140.00 |
| 106.75"..... | 161.00 |
| 132"..... | 195.00 |
| 156"..... | 225.00 |



Heavy Work Contractor Package

Save \$99!

All of the above racks will accept the Work Winch Tie-Down system. The Heavy Work Contractor Package includes the Heavy I.T.S. Series Contractor Rig and 4 Work Winches with handles. Separately, the Work Winches total \$298.00. This Heavy Work Package gives you 4 Work Winches for \$199.00, saving \$99.00

All Heavy I.T.S. Series Contractor Rigs priced above.....add \$199.00

ACCESSORY KITS

Secure Tools and Equipment Safely and Efficiently

AWW4 - Work Winch Kit

A set of 4 Work Winches "Plugs into" any I.T.S. Series ladder rack.

\$199.00 (separate prices total \$298.00)



AK4 - Full Commercial Kit

These accessories help expand System One's versatility to the fullest:

- 4 A-100 Cargo Anchors w/ Knobs
- 4 A-106 Ladder Stop/Anchor, 5"
- 2 A-141 Quick Hooks
- 1 A-114 Crossmember J Hook, 5"
- 2 A-111 Hooked Brackets, 5"
- 2 A-107 Inside Hook/Anchors

\$109.00 (separate prices total \$164.75)



AK6 - Cargo Anchoring Kit

A heavy 4 point cargo anchoring kit for pick-up truck beds. Slide anchors on the trak and tighten with the knob. Use with ropes, hooks and bungies:

- 4 A-100 Cargo Anchors w/ Knobs

\$29.00 (separate prices total \$37.00)



AK7 - Ladder Side Stop and Anchoring Kit

4 heavy side stop/anchors and their knobs for van and pick-up crossmembers to guide and secure ladders:

- 4 A-106 Ladder Stop/Anchor, 5"

\$34.00 (separate prices total \$46.00)



Full Access Tool Boxes®

Open Interiors

Open box, no shelves or dividers, Tool Bit and Pencil Tray standard

| | Individually | Pairs |
|-------------------------|-------------------|--------------|
| 90", 87"..... | \$ 759.00 ea..... | \$ 729.00 ea |
| 72", 68", 65", 59"..... | 739.00 ea..... | 709.00 ea |
| 48"..... | 689.00 ea..... | 659.00 ea |
| 96"..... | 789.00 ea..... | 759.00 ea |



Full Access Tool Boxes with Complete Interiors

Combination Interiors with Bins

Includes 6 dividers and 1 lower shelf (with 2 dividers and 2 shelf brackets), plastic polypropylene bins and all stainless steel fasteners. Center bins for location behind latch area are included. See charts on rear cover for bin quantities and sizes for your particular box size.

| | Individually | Pairs |
|-------------------------|-------------------|--------------|
| 90", 87"..... | \$ 959.00 ea..... | \$ 929.00 ea |
| 72", 68", 65", 59"..... | 929.00 ea..... | 899.00 ea |
| 48"..... | 849.00 ea..... | 819.00 ea |
| 96"..... | 999.00 ea..... | 969.00 ea |



Combination Interiors

Includes 6 dividers and 1 lower shelf (with 2 dividers and 2 shelf brackets) and all stainless steel fasteners

| | Individually | Pairs |
|-------------------------|-------------------|--------------|
| 90", 87"..... | \$ 889.00 ea..... | \$ 859.00 ea |
| 72", 68", 65", 59"..... | 859.00 ea..... | 829.00 ea |
| 48"..... | 809.00 ea..... | 779.00 ea |
| 96"..... | 909.00 ea..... | 879.00 ea |



Full Divider Interiors

Includes 12 dividers with stainless steel fasteners

| | Individually | Pairs |
|-------------------------|-------------------|--------------|
| 90", 87"..... | \$ 899.00 ea..... | \$ 869.00 ea |
| 72", 68", 65", 59"..... | 879.00 ea..... | 849.00 ea |
| 48"..... | 819.00 ea..... | 789.00 ea |
| 96"..... | 929.00 ea..... | 899.00 ea |



Full Shelf Interiors

Includes 4 dividers, 2 lower shelves, 4 shelf brackets and stainless steel fasteners. These are the shelves needed if an intermediate level of plastic bins is to be used. See chart on rear cover for maximum shelf lengths for your particular box.

| | Individually | Pairs |
|-------------------------|-------------------|--------------|
| 90", 87"..... | \$ 859.00 ea..... | \$ 829.00 ea |
| 72", 68", 65", 59"..... | 839.00 ea..... | 809.00 ea |
| 48"..... | 789.00 ea..... | 759.00 ea |
| 96"..... | 889.00 ea..... | 859.00 ea |

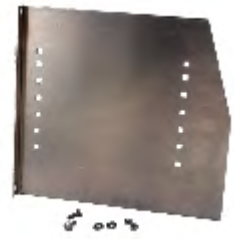


Build Your Own Interior

Dividers

Dividers attach to the rear mounting rails on the back wall of the tool box interior. They are made from .100" 5052 aluminum alloy. Included are 2 stainless steel carriage bolts, nuts and lock washers.

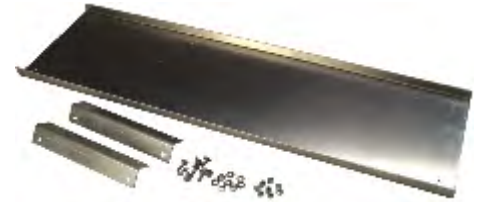
Divider..... \$16.50 ea.



Lower Shelves

The lower shelf works in either of the three lower holes in a divider. It is made from .100" 5052 aluminum alloy and is supplied with 2 shelf brackets and 8 stainless steel carriage bolts, nuts and lock washers. These shelves are 12" wide and come in various lengths for a perfect fit in the various lengths tool boxes available.

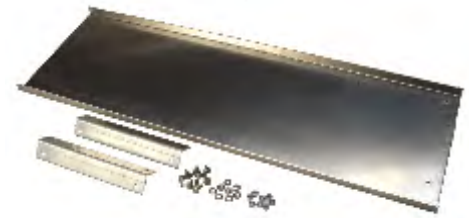
Lower Shelf..... \$44.00 ea.



Upper Shelf

The Upper Shelf mounts in any of the 7 sets of divider holes. It is made from .100" 5052 aluminum alloy and is supplied with 2 shelf brackets and 8 stainless steel carriage bolts, nuts and lock washers. These shelves are 10-5/8" wide and come in various lengths for a perfect fit in the various lengths tool boxes available.

Upper Shelf..... \$44.00 ea.



Shelf Bracket

Shelf brackets are available individually and are useful when a complete shelf is not used. They may be used to support a single polypropylene bin above a particular compartment or tool, or may be used to support a box containing a tool or parts. Shelf Brackets are constructed from .100" 5052 aluminum alloy and are supplied with 2 stainless steel carriage bolts, nuts and lock washers.

Shelf Bracket..... \$5.00 ea.



Bins

Polypropylene Bins are available in six sizes, color is yellow. See the chart on the back cover to determine bin quantities that will fit in your particular tool box.

Size 1 5-3/8"D, 4-1/8"W, 3"H* - usually used as a pair in the center behind the latch housing on the third level \$1.35 ea.

Size 2 7-3/8"D, 4-1/8"W, 3"H* - usually used on the third level anywhere except behind the center latch housing..... \$2.85 ea.

Size 3 10-7/8"D, 4-1/8"W, 4"H - used on a wide lower shelf or on the floor of the box.....\$3.90 ea.

Size 4 10-7/8"D, 5-1/2"W, 5"H* - used on a wide lower shelf or on the floor of the box..... \$5.90 ea.

Size 5 10-7/8"D, 11"W, 5"H* - used on a wide lower shelf or on the floor of the box..... \$8.85 ea.

Size 6 10-3/4"D, 8-1/4"W, 7"H - used on the floor of the box, also fits perfectly between 2 full length shelves behind the center latch..... \$9.70 ea.



*clear acrylic lid available

Bins with Clear Acrylic Hinged Lids

Clear acrylic hinged lids are available for four of our six bin sizes. They may be purchased as bins with lids or as lids alone.

| | bin with lid | lid separately |
|-------------------------------|--------------|----------------|
| Clear acrylic lid size 1..... | \$3.20 | \$1.85 |
| Clear acrylic lid size 2..... | \$5.05 | \$2.20 |
| Clear acrylic lid size 4..... | \$9.80 | \$3.90 |
| Clear acrylic lid size 5..... | \$13.70 | \$4.85 |



Toolbox Hangers and Legs

Tool Box Hangers and Legs are sold separately. Depending on the application, you may need hangers or legs, or they may not be needed at all. Tool Box Hangers are for use with System One racks and come in three sizes. One for racks using a 24.5" leg, one for a 26.5" leg and the other for racks using a 29" leg. Tool Box legs are to be used when the rack is other than System One or on trucks without racks. All of the fasteners to mount a tool box are included in these kits.

Tool Box Hangers for System One leg length 24.5", 26.5" and 29"\$16.50 / pair

Tool Box Legs for floor mounting to pick-up bed.....\$16.50 / pair



Number of Bins Supplied with Combination Interiors on page 2

| | | | | | |
|------------------------------------|----------------|-----------------|----------------|----------------|--------------|
| Box length 96", 90", 87"..... | size 1: 2pcs. | size 2: 18pcs., | size 4: 7pcs., | size 5: 3pcs., | size 6: 1pc. |
| Box length 72", 68", 65", 59"..... | size 1: 2pcs., | size 2: 12pcs., | size 4: 6pcs., | size 5: 2pcs., | size 6: 1pc. |
| Box length 48"..... | size 1: 2pcs., | size 2: 8pcs., | size 3: 4pcs., | size 4: 3pcs., | size 6: 1pc |

Maximum Number of Bins per Shelf Length or Half Box Length

(multiply by 2 if entire length of box is outfitted with bins)

| Box Length | 96" | 90" | 87" | 72" | 68" | 65" | 59" | 48" |
|-------------------------------------|-------|-------|-----|-------|-------|-----|-----|-------|
| Max. Shelf/Compartment.Length | 41.5" | 38.5" | 37" | 29.5" | 27.5" | 26" | 23" | 17.5" |
| Bin size 1 (3rd. tier)..... | 10 | 10 | 9 | 7 | 7 | 7 | 6 | 5 |
| Bin size 2 (3rd. tier)..... | 9 | 9 | 8 | 6 | 6 | 6 | 5 | 4 |
| Bin size 3 (on shelf or floor)..... | 9 | 9 | 8 | 6 | 6 | 6 | 5 | 4 |
| Bin size 4 (on shelf or floor)..... | 7 | 7 | 6 | 5 | 5 | 4 | 4 | 3 |
| Bin size 5 (on shelf or floor)..... | 3 | 3 | 3 | 2 | 2 | 2 | 2 | 1 |
| Bin size 6* (on floor)..... | 5 | 4 | 4 | 3 | 3 | 3 | 2 | 2 |

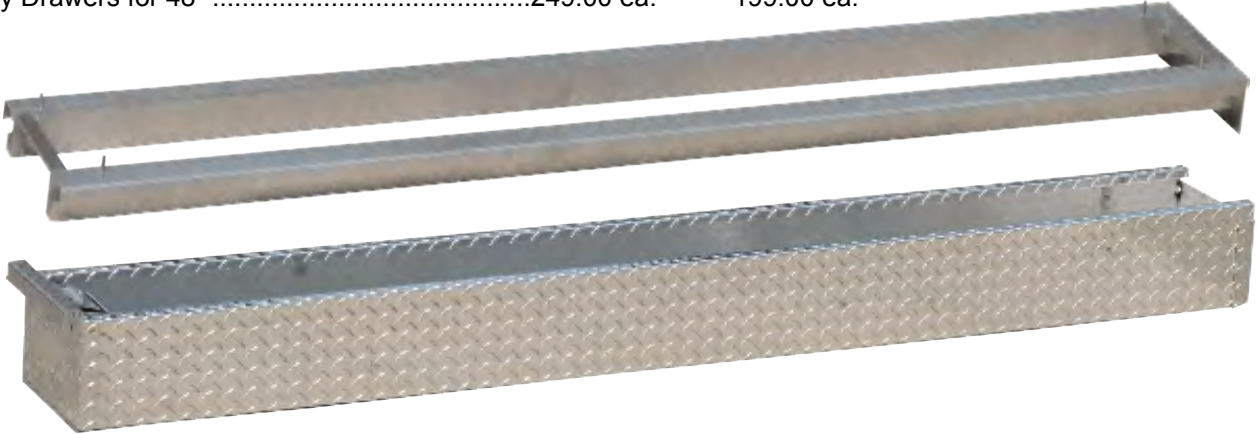
*Bin size 6 also fits perfectly between 2 shelves behind the center latch

StowAway™ Drawer and Accessories Price List

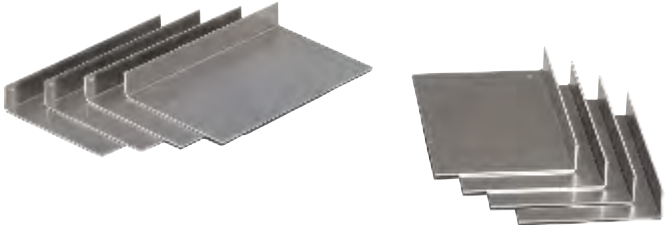
StowAway™ Drawers

StowAway™ Drawers include the drawer, drawer slide rails and all stainless steel hardware and mount to the underside of top-side toolboxes. The drawer front hinges down for access to pullout trays or long items or it can be optionally secured in the closed position when used as a drawer. The locks can be supplied keyed alike to match our Full Access Toolbox keys.

| | Individually | Pairs |
|--|--------------|--------------|
| Stowaway Drawers for 59" thru 90" Toolboxes..... | \$269.00 ea. | \$229.00 ea. |
| Stowaway Drawers for 96" | 279.00 ea. | 239.00 ea. |
| Stowaway Drawers for 48" | 249.00 ea. | 199.00 ea. |



Dividers for StowAway Drawers
 (set of 8).....\$42.90 set



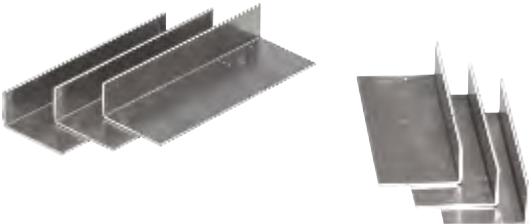
Pullout Trays

Pullout Trays include the tray, tray slides and all stainless steel mounting hardware

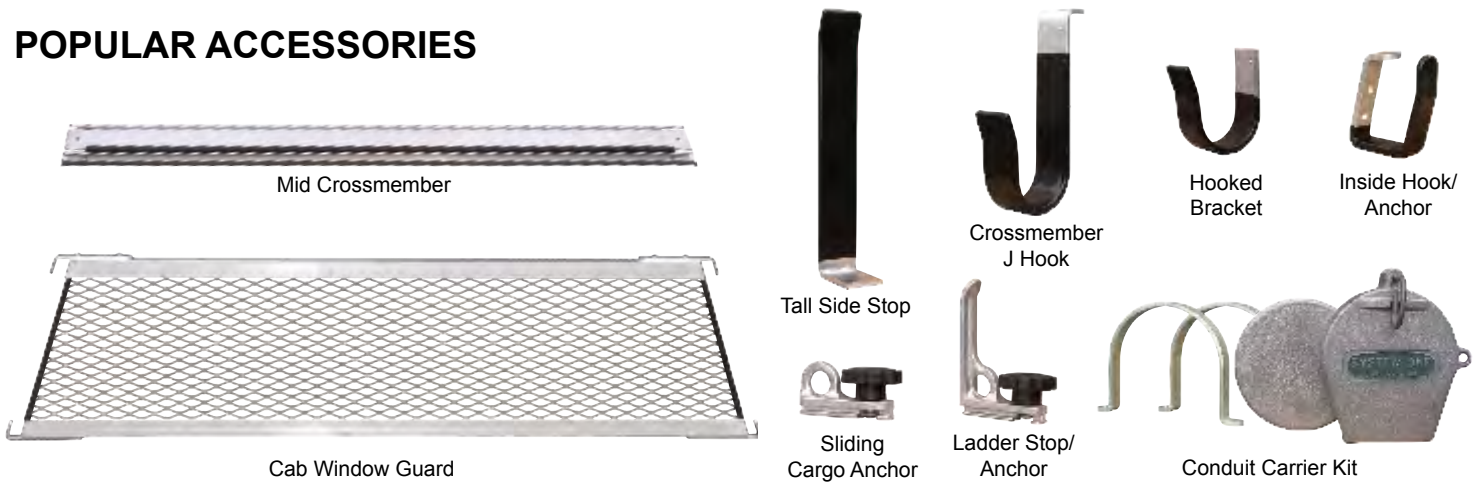
| | |
|---|--------------|
| Pullout Trays for Drawers in 59" thru 90" toolboxes.. | \$109.00 ea. |
| Pullout Trays for Drawers in 96" toolboxes..... | 119.00 ea. |
| Pullout Trays for Drawers in 48" toolboxes..... | 89.00 ea. |



Dividers for Pullout Trays
 (set of 6).....\$29.00 set



POPULAR ACCESSORIES



ACCESSORIES (v) indicates accessories applicable to vans, enclosed bodies, as well as pick-up trucks

| | | |
|-----------|---|---------|
| A-WW (v) | Work Winch® w/ Handle, Aluminum & S.S. (for all I.T.S.® Series racks)..... | \$74.50 |
| A-WG | Cab Window Guard, Aluminum..... | 109.00 |
| A-205 | Mid Crossmember, adjustable, (for short step ladders etc.)..... | 44.00 |
| A-100 (v) | Sliding Cargo Anchor, Heavy Cast Aluminum w/ Brass Insert Knob..... | 9.25 |
| A-106 (v) | Ladder Stop/Anchor, 5", Heavy Cast Aluminum w/ Brass Insert Knob..... | 11.50 |
| A-107 | Inside Hook/Anchor, Aluminum..... | 10.25 |
| A-109 (v) | Tall Side Stop, 13", Aluminum..... | 13.50 |
| A-351 | Ratchet Tie-Down w/ 4' strap..... | 15.50 |
| A-352 | Ratchet Tie-Down w/ 6' strap..... | 17.50 |
| A-114 | Crossmember J Hook, 5", Aluminum..... | 18.25 |
| A-115 | Extension Beam J Hook, 5", Aluminum..... | 18.00 |
| A-111 | Hooked Bracket, 5", Aluminum..... | 13.00 |
| A-116 (v) | Ladder Horn, Aluminum..... | 16.50 |
| A-121 | Tool Box Hanger, (top side boxes) Aluminum (pair)..... | 16.50 |
| A-122 | Tool Box Hanger, (low side boxes) Aluminum (pair)..... | 16.50 |
| A-123 | Crossover Box Lift Kit, 3"x3"x20", Aluminum (pair)..... | 44.00 |
| A-306 (v) | Conduit Carrier Kit, 6", Aluminum..... | 74.00 |
| A-304 (v) | Conduit Carrier Kit, 4", Aluminum..... | 67.00 |
| A-310 | Ladder Roller & Clamp System, Aluminum..... | 144.00 |
| A-361 (v) | Ladder Lock w/ 4' x 3/8" cable..... | 24.25 |
| A-362 (v) | Ladder Lock w/ 6' x 3/8" cable..... | 24.25 |
| A-141 | Quick Hook, Stainless Steel..... | 8.50 |
| A-142 | Quick Shelf Bracket, Stainless Steel (pair)..... | 41.50 |
| A-145 | Quick Spool & Reel Holder, Stainless Steel (pair)..... | 44.00 |
| A-316 (v) | Folding Foot Step, Stainless Steel..... | 29.50 |
| A-318 (v) | Grab Handle, Rubber w/ steel core..... | 13.00 |
| A-320 (v) | Strobe/Antenna Center Mount, 6" tall, Aluminum..... | 44.00 |
| A-321 (v) | Strobe/Antenna Side Mount, Aluminum..... | 26.50 |
| A-340 (v) | Strobe Light 4 3/4" tall, 6 1/4 dia. 80 flashes/min. 8 joules, 1 amp..... | 119.00 |
| A-341 (v) | Strobe Light 6 1/4" tall, 6 1/4 dia. 80 flashes/min. 8 joules, 1 amp..... | 119.00 |
| A-410 (v) | Plastic Knob w/ Brass Insert for Accessories (5/16")..... | 2.75 |
| A-411 | Plastic Knob w/ Brass Insert for Truss Bolts (3/8")..... | 4.90 |
| A-CM | Cantilever Mount for Trucks w/ Caps, 4 pcs, 3/16" Stainless Steel..... | 109.00 |
| A-250 (v) | Ladder Life® Anti-Wear Insert, EPDM Rubber..... | 2.15 |
| A-251 (v) | Ladder Glide® Low Friction Insert, High Density Polyethylene..... | 2.15 |
| A-255 | High Density Foam Tape 1/8"x 2.5" (for underside of Pick-Up Trak)..... | .75 |
| A-256 | High Density Foam Tape 1/16"x 3.5" (for underside of Utility Trak)..... | .75 |
| A-STF (v) | Stiffening Rib for vans, mounts under crossmembers 1.5"x1.5"x.125"Angle Alum..... | 17.50 |
| A-STF (v) | Stiffening Rib for encl. bodies, mts. under crossmembers 1.5"x1.5"x.125"Angle Alum..... | 21.00 |
| A-516 (v) | Bolt Pack, 6 S.S. bolts, nuts, washers for mounting crossover boxes, etc..... | 3.75 |

Prices include mounting hardware where applicable. Please call for specially cut component sizes.

1-800-627-9783 609-466-9700 FAX 609-466-9779

www.LadderRacks.com

Christensen Manufacturing Corp., P.O. Box 592 Pennington, NJ 08534